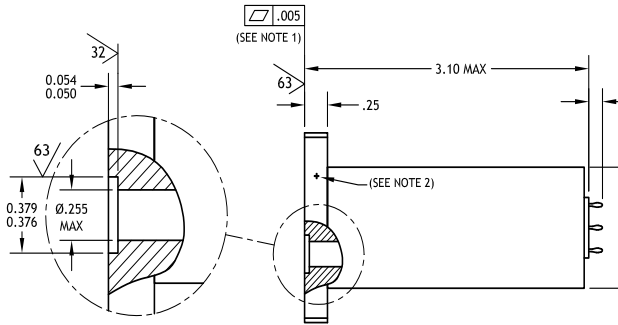


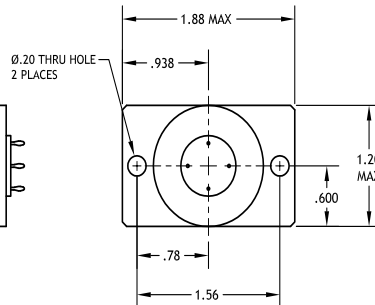
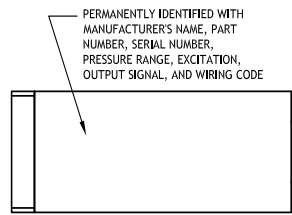
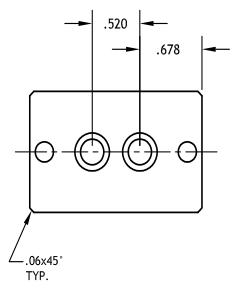
Deep Sea Submersible Differential



max.
5,000 psi



DETAIL
SENSING PORTS 2 PLCS
COUNTERBORES TO SUIT FACE
SEAL, PARKER O-RING 2-010



Measuring ranges

- 0-200 to 0-5,000 psi



Features

- Low ranges available
- Fully submersible
- Available with Seacon connector
- Good to 10,000 psi external pressure
- Bidirectional output
- Wide range of options
- Stainless wetted parts



Drawing

- 99-6019-0001

All dimensions are in inches, unless otherwise noted. Also available in metric units.

TORQUE PERFORMANCE SPECIFICATIONS (FSO is Full Scale Output)	Capacity	Ordering Example
EXCITATION	22-35 VDC	4,000 PSID
OUTPUT	-4,000 psi = -10 VDC 0 psi = 0 VDC +4,000 psi = +10 VDC	99-6019-0001
STATIC ACCURACY	0.5% FSO (B.F.S.L.)	
COMPENSATED TEMPERATURE RANGE	+32°F to +130°F	
THERMAL EFFECT	<1.0% of FSO	
PROOF PRESSURE	10,000 psi	
BURST PRESSURE	>15,000 psi	
EXTERNAL CASE PRESSURE	6,000 psi	
MATERIAL - WETTED PARTS	17-4 PH stainless steel 304 stainless steel (header)	