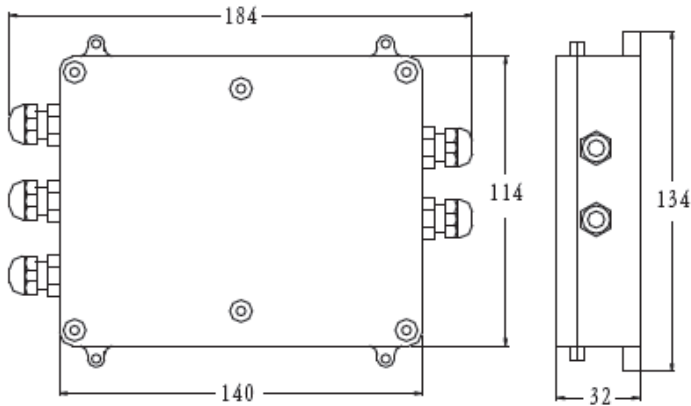
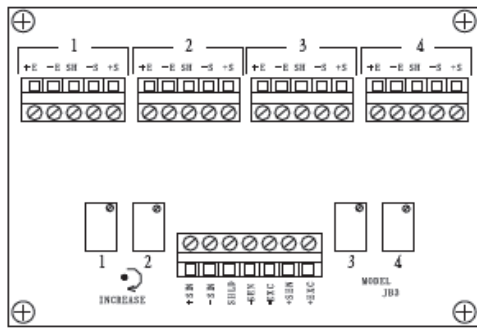


Amplified Summing Junction Box

Model ISBA



All dimensions are in inches, unless otherwise noted. Also available in metric units.

NOTE: Load cells connected to this unit must have a 1,000 ohm bridge minimum.



IP 66



Features

- (4) 5-Position Terminal Strips
- Rugged ABS Enclosure
- (1) 7-position Terminal Strip
- Will sum 2-4 Load cells
- (4) Multi-turn trim pots
- Stainless Steel Enclosure Also Available

OPTIONS:

- Remote buffered shunt calibration

DESCRIPTION	VOLTAGE OUTPUT 0-5V 3-WIRE	CURRENT OUTPUT 4-20mA 3-WIRE
INPUT POWER (Voltage)	11-28 VDC	22-32 VDC (Depends on load resistance)
INPUT POWER (Current)	40 mA	65 mA
OUTPUT SIGNAL	0-5 V or ± 5 @ 5 mA	4-20 mA
FREQUENCY RESPONSE	3,000 Hz	2,500 Hz
POWER SUPPLY REJECTION	60 db	60 db
OPERATING TEMPERATURE	0°F to 185°F	0°F to 185°F
REVERSE POLARITY PROTECTION	Yes	Yes
SHORT CIRCUIT PROTECTION	Yes	Yes