

USB Powered Signal Conditioner Model ILAUSB-10



tecsis data sheet Model ILAUSB-10, 2-1-19

Applications

- For strain gage load cells, torque cells & pressure sensors
- Test & Measurement
- R & D
- Laboratory

Special features

- Quick, Convenient Set Up
- 18-bit Noise Free High Resolution
- Downloadable Utility Software
- Laptop compatible, USB powered
- Multipoint linearization
- Low Cost Data Acquisition Solution
- Labview Sample Code Available
- Software Available for up to 24 Channels
- Real-Time Display
- Real-Time Charting

Description

The Model ILAUSB-10 is a compact, high performance strain gauge digital signal conditioner with USB connectivity designed for applications which require high-accuracy measurement, repeatability, and portability. Included software allows data manipulation and removes the need for amplifiers, filters & multimeters. No additional power supply is required.



USB Signal Conditioner, Model ILAUSB-10

Performance Specifications

| Model ILAUSB-10 | |
|--|---------------------|
| Strain Gage Measurement | 4-Wire |
| Strain Gage Excitation Voltage | 5 Vdc |
| Strain Gage Drive Capability | 85 - 5,000 Ohms |
| Strain Gage Sensitivity | ±3 mV/V |
| Resolution @ 1 Hz readings* (Noise stable) over 100s | 200,000 Counts/divs |
| Resolution @ 10 Hz readings* (Noise stable) over 100s | 120,000 Counts/divs |
| Resolution @ 100 Hz readings* (Noise stable) over 100s | 50,000 Counts/divs |
| Power Supply Voltage (USB) | 5 Vdc |
| Power Supply Current (350 Ohm bridge) | 68 mA |
| Maximum Output Cable Length | 5 m |
| Data Transmission Rate | 115.200 kbps |
| Operating Temperature Range | -40° to +85°C |
| Maximum Humidity | 95% RH |
| Protection | IP50 |

*Consult factory - Model ILAUSB-20 for speeds up to 4800 Hz

Included Utility Software*

Real-Time Display



Real-Time Charting

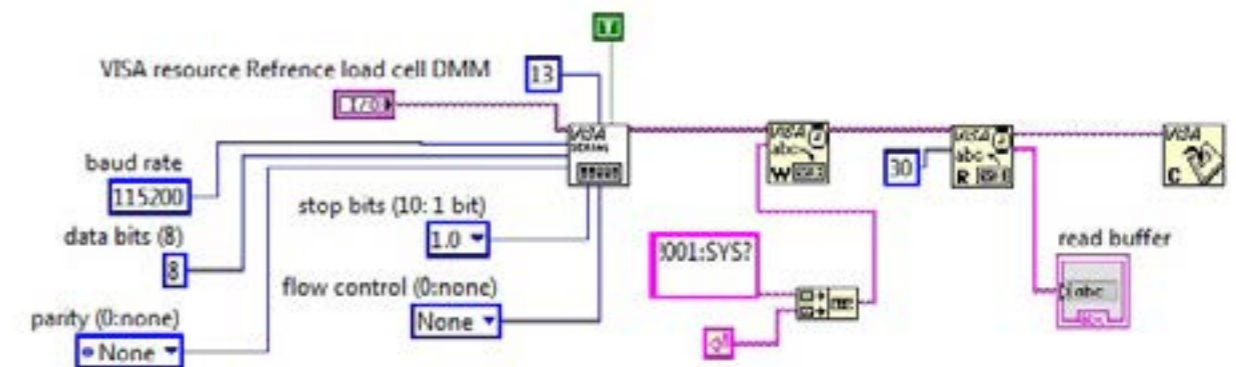
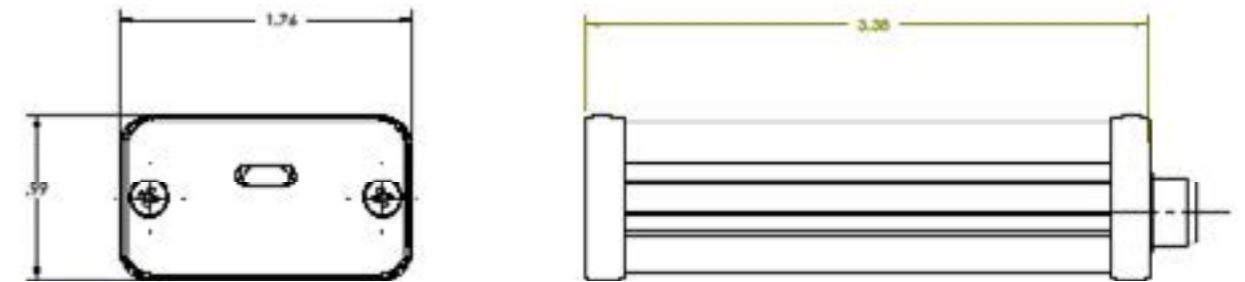


Log to Spreadsheet

| | A | B | C |
|----|------------------|-----------|-------------|
| 1 | Date/Time Stamp | Time [ms] | Output |
| 2 | 10/11/2018 15:00 | 0 | 30.00049305 |
| 3 | 10/11/2018 15:00 | 300 | 30.00049114 |
| 4 | 10/11/2018 15:00 | 600 | 30.00049114 |
| 5 | 10/11/2018 15:00 | 900 | 30.00049114 |
| 6 | 10/11/2018 15:00 | 1200 | 30.00049114 |
| 7 | 10/11/2018 15:00 | 1500 | 30.00049114 |
| 8 | 10/11/2018 15:00 | 1800 | 30.00049305 |
| 9 | 10/11/2018 15:00 | 2100 | 30.00049305 |
| 10 | 10/11/2018 15:00 | 2400 | 30.00049305 |
| 11 | 10/11/2018 15:00 | 2700 | 30.00049499 |

*Consult factory for Android app software.

Dimensions in inches



© 02/2019 tectsis LP, all rights reserved.
The specifications given in this document represent the state of engineering at the time of publishing.
We reserve the right to make modifications to the specifications and materials.



tecsis LP
A division of the WIKA Group
771-F Dearborn Park Lane
Worthington, Ohio 43085
Tel. 614-430-0683
Fax 614-431-6957
ussales@tecsis.us
internationalsales@tecsis.us
www.tecsis.us